

# BT-TRUSS STAND 100 03490

## DESCRIPTION

This Truss stand can be used to mount all kinds of moving lights and other light equipment.

## FEATURES

- This Truss stand can be used to mount all kinds of moving lights and other light equipment.
- The package consists of:
  - 1 ALU Base plate 600x600mm (4mm thick)
  - 1 ALU Top plate 350x350mm (4mm thick)
  - 4 ALU Tubes D=50mm, length 1m (2mm thick)
  - 1 Stretch cover truss sleeve (complies to ISO 6941 + ISO 15025)
  - Incl. all mounting accessories
- Thanks to the translucent truss sleeve the stand can be lit up from the inside.
- Both Top and base plates have handle holes for easy transport.
- Stretch cover truss sleeve complies to:
- ISO 6941: 2005 (Textile fabrics -- Burning behaviour -- Measurement of flame spread properties of vertically oriented specimens)
- ISO 15025: 2000 (Protective clothing -- Protection against heat and flame -- Method of test for limited flame spread)



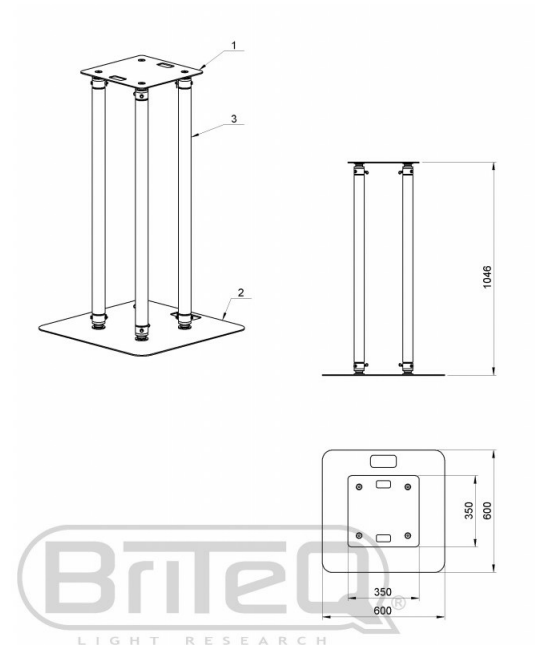
[www.briteq-lighting.com](http://www.briteq-lighting.com) | <https://www.facebook.com/Briteq>

*Beglec NV has the right to change products and specifications with and without notice. Major as well as minor changes can be involved. This leaflet can contain errors, therefore we advice to consult your local dealer to ensure that actual features and specifications match your requirements. Copyright © 2015 by BEGLEC NV. All rights reserved.*



## SPECIFICATIONS

<b>General : Application</b>	Architectural, Commercial lighting, DJ & Club, Stage & Rental
<b>General : Dimensions (cm)</b>	104.6 x 60 x 60 cm
<b>General : Weight (kg)</b>	16
<b>General : Color</b>	aluminium
<b>Stand &amp; Truss : transport footprint</b>	No
<b>Stand &amp; Truss : transport height (cm)</b>	No
<b>Stand &amp; Truss : tube diameter</b>	50 mm
<b>Stand &amp; Truss : truss type</b>	tube
<b>Stand &amp; Truss : Compatible</b>	No
<b>EANCode</b>	5420025634908
<b>Discontinued</b>	No



YOUR DEALER



[www.briteq-lighting.com](http://www.briteq-lighting.com) | <https://www.facebook.com/Briteq>

Beglec NV has the right to change products and specifications with and without notice. Major as well as minor changes can be involved. This leaflet can contain errors, therefore we advice to consult your local dealer to ensure that actual features and specifications match your requirements. Copyright © 2015 by BEGLEC NV. All rights reserved.