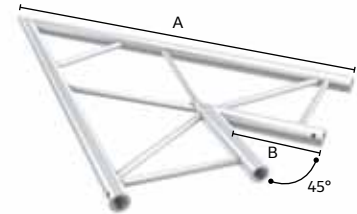


Junctions for M222 / M290 / M390

- Widest range of standard junctions available for most applications
- Fast connection for quick, simple and secure assembly
- Custom lengths, angles and curved junctions are easily created
- Connection kit supplied with every truss junction
- Powder coat colour finish available on request

DUO Straights and junctions



STRAIGHTS

Series	Code	m	ft	0.5 (1.64)	1 (3.28)	1.5 (4.92)	2 (6.56)	2.5 (8.20)	3 (9.84)	4 (13.12)	5 (16.4)
M222	BTM			500	1000	1500	2000	2500	3000	4000	-
M290	BTB/BTV			500	1000	1500	2000	2500	3000	4000	5000
M390	BTK/BTL			500	1000	1500	2000	2500	3000	4000	5000

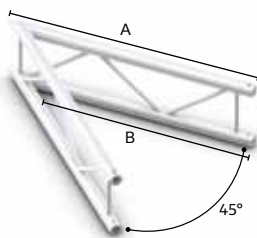
2 WAY HORIZONTAL CORNER 45°

Series	Code	A	B	C	kg
M222	HM19 2way45dg	800	264	-	1.8
M290	HB/HV19 2way45dg	1000	300	-	3
M390	HK/HL19 2way45dg	1200	258	-	3.4

To calculate inches and pounds (mm / 25.4 = inch)
(kg × 2.204 = lbs)

	BTM	BTB	BTV	BTK	BTL
Weight of 1 m/kg* (3.28 ft/lbs)	1.70 (3.74)	3.0 (6.61)	3.30 (7.72)	3.45 (7.60)	3.80 (8.37)

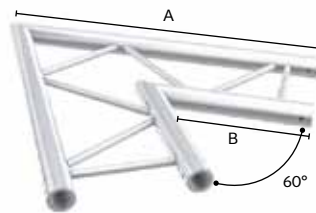
*excluding connection material



2 WAY VERTICAL CORNER 45°

Series	Code	A	B	C	kg
M222	VM19 2way45dg	800	723	-	1.8
M290	VB/VV19 2way45dg	1000	879	-	3.0
M390	VK/VL19 2way45dg	1200	1079	-	3.4

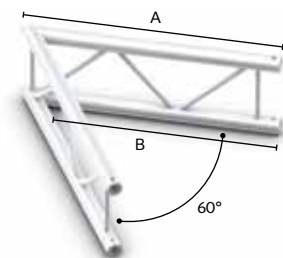
To calculate inches and pounds (mm / 25.4 = inch)
(kg × 2.204 = lbs)



2 WAY HORIZONTAL CORNER 60°

Series	Code	A	B	C	kg
M222	HM20 2way60dg	600	215	-	1.6
M290	HB/HV20 2way60dg	800	298	-	2.8
M390	HK/HL20 2way60dg	1000	325	-	3.4

To calculate inches and pounds (mm / 25.4 = inch)
(kg × 2.204 = lbs)

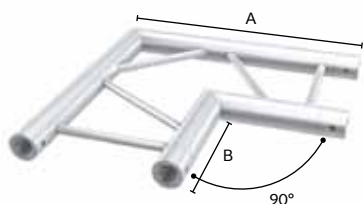


2 WAY VERTICAL CORNER 60°

Series	Code	A	B	C	kg
M222	VM20 2way60dg	600	545	-	1.6
M290	VB/VV20 2way60dg	800	713	-	2.8
M390	VK/VL20 2way60dg	1000	913	-	3.4

To calculate inches and pounds (mm / 25.4 = inch)
(kg × 2.204 = lbs)

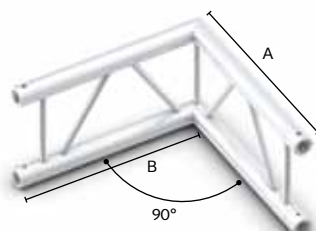
NOTE: M290 / M390 dimensions are same for F & U versions



2 WAY HORIZONTAL CORNER 90°

Series	Code	A	B	C	kg
M222	HM21 2way90dg	400	178	-	1.6
M290	HB/HV21 2way90dg	500	210	-	2.4
M390	HK/HL21 2way90dg	600	210	-	3.0

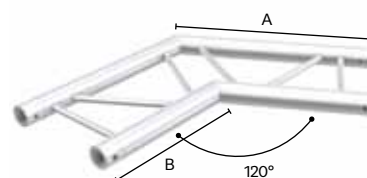
To calculate inches and pounds (mm / 25.4 = inch)
(kg × 2.204 = lbs)



2 WAY VERTICAL CORNER 90°

Series	Code	A	B	C	kg
M222	VM21 2way90dg	400	368	-	1.6
M290	VB/VV21 2way90dg	500	450	-	2.4
M390	VK/VL21 2way90dg	600	550	-	3.0

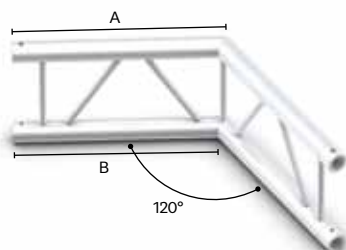
To calculate inches and pounds (mm / 25.4 = inch)
(kg × 2.204 = lbs)



2 WAY HORIZONTAL CORNER 120°

Series	Code	A	B	C	kg
M222	HM22 2way120dg	400	272	-	1.6
M290	HB/HV22 2way120dg	500	333	-	2.4
M390	HK/HL22 2way120dg	600	375	-	3.0

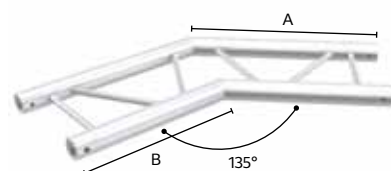
To calculate inches and pounds (mm / 25.4 = inch)
(kg × 2.204 = lbs)



2 WAY VERTICAL CORNER 120°

Series	Code	A	B	C	kg
M222	VM22 2way120dg	400	382	-	1.6
M290	VB/VV22 2way120dg	500	471	-	2.4
M390	VK/VL22 2way120dg	600	571	-	3.0

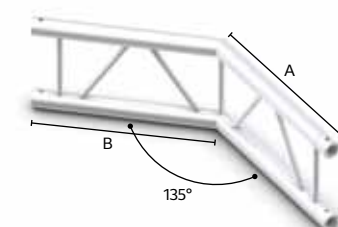
To calculate inches and pounds (mm / 25.4 = inch)
(kg × 2.204 = lbs)



2 WAY HORIZONTAL CORNER 135°

Series	Code	A	B	C	kg
M222	HM23 2way135dg	400	308	-	1.6
M290	HB/HV23 2way135dg	500	380	-	2.4
M390	HK/HL23 2way135dg	600	438	-	3.0

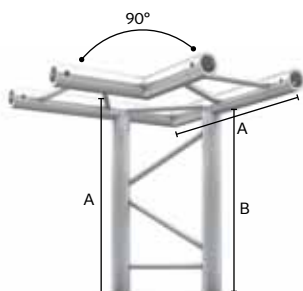
To calculate inches and pounds (mm / 25.4 = inch)
(kg × 2.204 = lbs)



2 WAY VERTICAL CORNER 135°

Series	Code	A	B	C	kg
M222	VM23 2way135dg	400	387	-	1.6
M290	VB/VV23 2way135dg	500	479	-	2.4
M390	VK/VL23 2way135dg	600	579	-	3.0

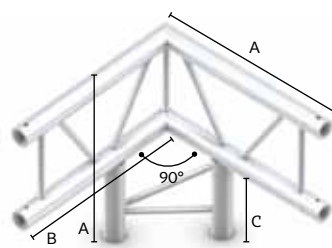
To calculate inches and pounds (mm / 25.4 = inch)
(kg × 2.204 = lbs)



3 WAY HORIZONTAL CORNER 90° LEG DOWN

Series	Code	A	B	C	kg
M222	HM31 3way90dg	400	368	-	1.6
M290	HB/HV31 3way90dg	500	450	-	4.2
M390	HK/HL31 3way90dg	600	550	-	4.8

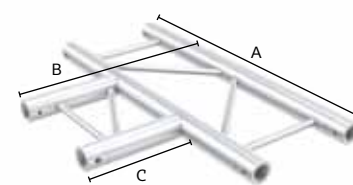
To calculate inches and pounds (mm / 25.4 = inch)
(kg × 2.204 = lbs)



3 WAY VERTICAL CORNER 90° LEG DOWN

Series	Code	A	B	C	kg
M222	VM31 3way90dg	400	368	178	1.6
M290	VB/VV31 3way90dg	500	450	210	4.2
M390	VK/VL31 3way90dg	600	550	210	4.8

To calculate inches and pounds (mm / 25.4 = inch)
(kg × 2.204 = lbs)

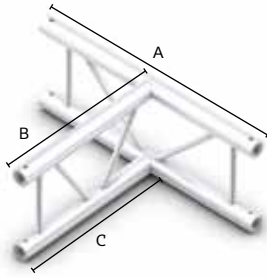


3 WAY HORIZONTAL T-PIECE

Series	Code	A	B	C	kg
M222	HM35 3wayT	578	400	178	1.6
M290	HB/HV35 3wayT	710	500	210	4.2
M290	HUU35 3wayT	500	500	210	3.4
M390	HK/HL35 3wayT	810	600	210	4.8

To calculate inches and pounds (mm / 25.4 = inch)
(kg × 2.204 = lbs)

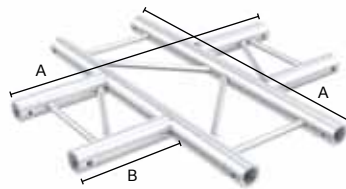
NOTE : M290 / M390 dimensions are same for F & U versions



3 WAY VERTICAL T-PIECE

Series	Code	A	B	C	kg
M222	VM35]3wayT	578	400	368	1.6
M290	VB/VV35]3wayT	710	500	450	4.2
M290	VUU35]3wayT	500	500	450	3.1
M390	VK/VL35]3wayT	810	600	550	4.8

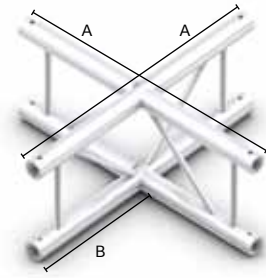
To calculate inches and pounds (mm / 25.4 = inch)
(kg × 2.204 = lbs)



4 WAY HORIZONTAL CROSS PIECE

Series	Code	A	B	C	kg
M222	HM4]4way	578	179	-	2.0
M290	HB/HV4]4way	710	210	-	4.2
M290	HUU4]4way	500	105	-	2.7
M390	HK/HL4]4way	810	210	-	4.8

To calculate inches and pounds (mm / 25.4 = inch)
(kg × 2.204 = lbs)

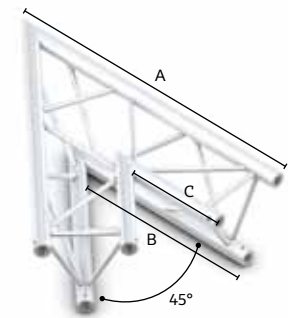


4 WAY VERTICAL CROSS PIECE

Series	Code	A	B	C	kg
M222	VM4]4way	578	368	-	2.0
M290	VB/VV4]4way	710	330	-	4.2
M290	VUU4]4way	500	225	-	3.2
M390	VK/VL4]4way	810	380	-	4.8

To calculate inches and pounds (mm / 25.4 = inch)
(kg × 2.204 = lbs)

TRIO Straights and junctions



STRAIGHTS

Series	Code	m	ft	0.5 (1.64)	1 (3.28)	1.5 (4.92)	2 (6.56)	2.5 (8.20)	3 (9.84)	4 (13.12)	5 (16.4)
M222	STM			500	1000	1500	2000	2500	3000	4000	-
M290	STB/STV			500	1000	1500	2000	2500	3000	4000	5000
M390	STK/STL			500	1000	1500	2000	2500	3000	4000	5000

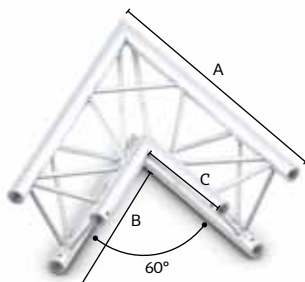
	STM	STB	STV	STK	STL
Weight of 1 m/kg* (3.28 ft/lbs)	2.30 (5.01)	4.50 (9.92)	5.00 (11.0)	4.95 (10.9)	5.75 (12.7)

*excluding connection material

2 WAY CORNER 45°

Series	Code	A	B	C	kg
M222	ACM19]2way45dg	800	493	264	2.5
M290	ACB/ACV19]2way45dg	1000	590	300	6.0
M390	ACK/ACL19]2way45dg	1200	669	258	6.9

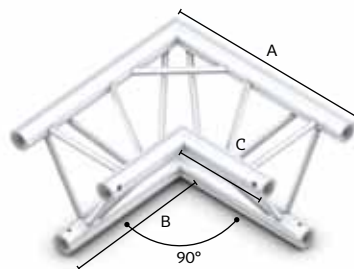
To calculate inches and pounds (mm / 25.4 = inch)
(kg × 2.204 = lbs)



2 WAY CORNER 60°

Series	Code	A	B	C	kg
M222	ACM20]2way60dg	600	380	215	2.3
M290	ACB/ACV20]2way60dg	800	506	298	5.5
M390	ACK/ACL20]2way60dg	1000	619	324	6.9

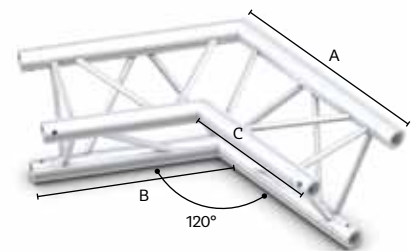
To calculate inches and pounds (mm / 25.4 = inch)
(kg × 2.204 = lbs)



2 WAY CORNER 90°

Series	Code	A	B	C	kg
M222	ACM21]2way90dg	400	273	178	2.2
M290	ACB/ACV21]2way90dg	500	330	210	4.8
M390	ACK/ACL21]2way90dg	600	330	210	5.2

To calculate inches and pounds (mm / 25.4 = inch)
(kg × 2.204 = lbs)

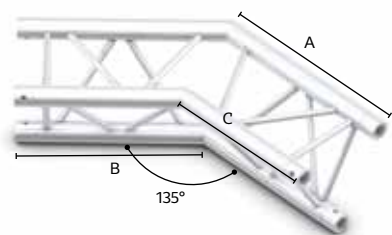


2 WAY CORNER 120°

Series	Code	A	B	C	kg
M222	ACM22]2way120dg	400	327	272	2.3
M290	ACB/ACV22]2way120dg	500	402	333	4.8
M390	ACK/ACL22]2way120dg	600	473	375	5.4

To calculate inches and pounds (mm / 25.4 = inch)
(kg × 2.204 = lbs)

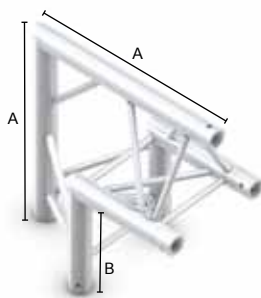
NOTE : M290 / M390 dimensions are same for F & U versions



2 WAY CORNER 135°

Series	Code	A	B	C	kg
M222	ACM23 2way135dg	400	347	308	2.3
M290	ACB/ACV23 2way135dg	500	430	380	4.8
M390	ACK/ACL23 2way135dg	600	509	438	5.4

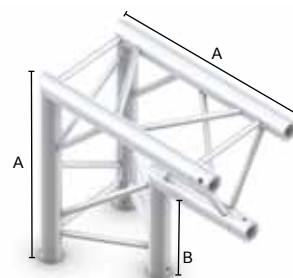
To calculate inches and pounds (mm / 25.4 = inch)
 (kg × 2.204 = lbs)



2 WAY CORNER 90° APEX OUT

Series	Code	A	B	C	kg
M222	ACM24 2way90dg	400	204	-	2.2
M290	ACB/ACV24 2way90dg	500	242	-	4.8
M390	ACK/ACL24 2way90dg	600	256	-	5.2

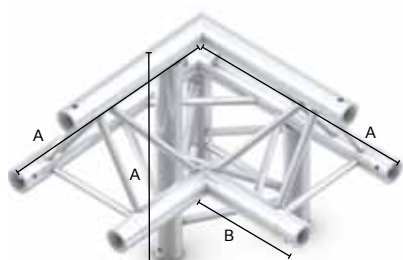
To calculate inches and pounds (mm / 25.4 = inch)
 (kg × 2.204 = lbs)



2 WAY CORNER 90° APEX IN

Series	Code	A	B	C	kg
M222	ACM25 2way90dg	400	204	-	2.2
M290	ACB/ACV25 2way90dg	500	242	-	4.8
M390	ACK/ACL25 2way90dg	600	256	-	5.2

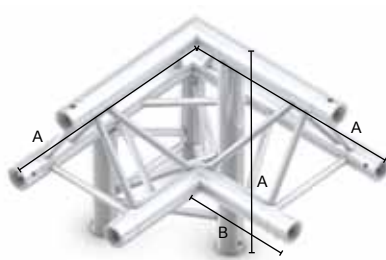
To calculate inches and pounds (mm / 25.4 = inch)
 (kg × 2.204 = lbs)



3 WAY CORNER 90° APEX UP RIGHT

Series	Code	A	B	C	kg
M222	ALM31 3way90dg	400	178	-	2.9
M290	ALB/ALV31 3way90dg	500	210	-	7.2
M390	ALK/ALL31 3way90dg	600	210	-	8.1

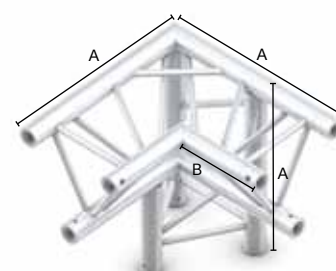
To calculate inches and pounds (mm / 25.4 = inch)
 (kg × 2.204 = lbs)



3 WAY CORNER 90° APEX UP LEFT

Series	Code	A	B	C	kg
M222	ALM32 3way90dg	400	178	-	2.9
M290	ALB/ALV32 3way90dg	500	210	-	7.2
M390	ALK/ALL32 3way90dg	600	210	-	8.1

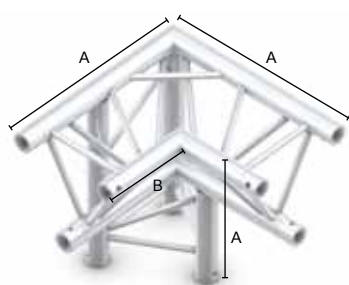
To calculate inches and pounds (mm / 25.4 = inch)
 (kg × 2.204 = lbs)



3 WAY CORNER 90° APEX DOWN RIGHT

Series	Code	A	B	C	kg
M222	ALM33 3way90dg	400	178	-	2.9
M290	ALB/ALV33 3way90dg	500	210	-	7.2
M390	ALK/ALL33 3way90dg	600	210	-	8.1

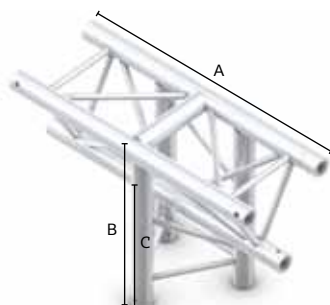
To calculate inches and pounds (mm / 25.4 = inch)
 (kg × 2.204 = lbs)



3 WAY CORNER 90° APEX DOWN LEFT

Series	Code	A	B	C	kg
M222	ALM34 3way90dg	400	178	-	2.9
M290	ALB/ALV34 3way90dg	500	210	-	7.2
M390	ALK/ALL34 3way90dg	600	210	-	8.1

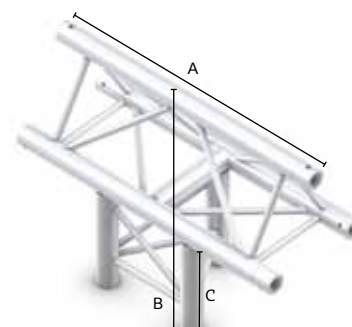
To calculate inches and pounds (mm / 25.4 = inch)
 (kg × 2.204 = lbs)



3 WAY VERTICAL T-PIECE APEX DOWN

Series	Code	A	B	C	kg
M222	ATM35 3wayT	578	400	203	2.9
M290	ATB/ATV35 3wayT	710	500	242	7.2
M290	ATUU35 3wayT	500	500	242	4.8
M390	ATK/ATL35 3wayT	810	600	256	8.1

To calculate inches and pounds (mm / 25.4 = inch)
 (kg × 2.204 = lbs)

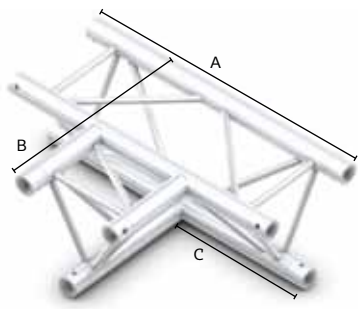


3 WAY VERTICAL T-PIECE APEX UP

Series	Code	A	B	C	kg
M222	ATM35B 3wayT	578	400	203	2.9
M290	ATB/ATV35B 3wayT	710	500	242	7.2
M290	ATUU35B 3WAYT	500	500	242	4.7
M390	ATK/ATL35B 3wayT	810	600	256	8.1

To calculate inches and pounds (mm / 25.4 = inch)
 (kg × 2.204 = lbs)

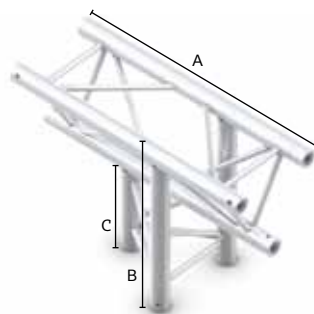
NOTE : M290 / M390 dimensions are same for F & U versions



3 WAY HORIZONTAL T-PIECE

Series	Code	A	B	C	kg
M222	ATM36 3wayT	578	400	273	2.9
M290	ATB/ATV36 3wayT	710	500	330	7.2
M290	ATUU36 3wayT	500	500	330	4.2
M390	ATK/ATL36 3wayT	810	600	380	8.1

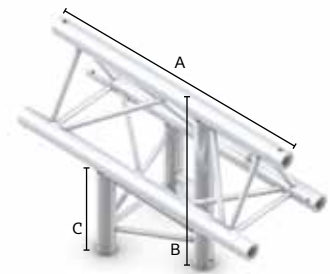
To calculate inches and pounds (mm / 25.4 = inch)
(kg × 2.204 = lbs)



3 WAY VERTICAL T-PIECE APEX DOWN

Series	Code	A	B	C	kg
M222	ATM37 3wayT	603.5	400	203	3.1
M290	ATB/ATV37 3wayT	742	500	242	7.2
M290	ATUU37 3wayT	500	500	242	4.5
M390	ATK/ATL37 3wayT	855	600	256	8.3

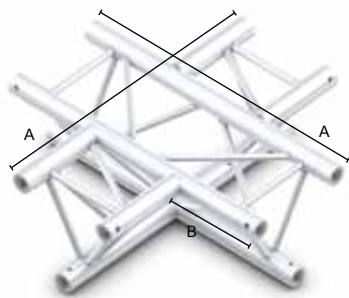
To calculate inches and pounds (mm / 25.4 = inch)
(kg × 2.204 = lbs)



3 WAY VERTICAL T-PIECE APEX UP

Series	Code	A	B	C	kg
M222	ATM37B 3wayT	603.5	400	203	3.1
M290	ATB/ATV37B 3wayT	742	500	242	7.2
M290	ATUU37B 3wayT	500	500	242	4.4
M390	ATK/ATL37B 3wayT	855	600	256	8.3

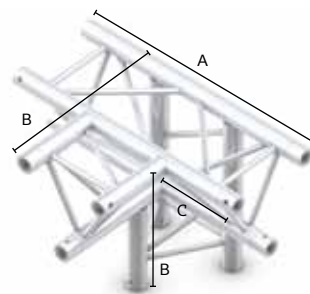
To calculate inches and pounds (mm / 25.4 = inch)
(kg × 2.204 = lbs)



4 WAY CROSS PIECE

Series	Code	A	B	C	kg
M222	ACM41 4way	578	178	-	3.5
M290	ACB/ACV41 4way	710	210	-	9.6
M290	ACUU41 4way	500	105	-	4.7
M390	ACK/ACL41 4way	810	210	-	11.2

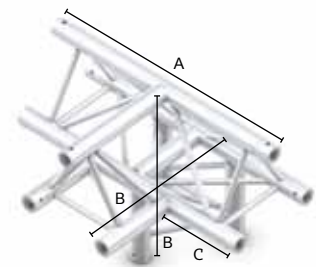
To calculate inches and pounds (mm / 25.4 = inch)
(kg × 2.204 = lbs)



4 WAY T-PIECE APEX DOWN

Series	Code	A	B	C	kg
M222	ATM42 4wayT	578	400	273	3.5
M290	ATB/ATV42 4wayT	710	500	330	9.6
M290	ATUU42 4wayT	500	500	330	6.1
M390	ATK/ATL42 4wayT	810	600	380	11.2

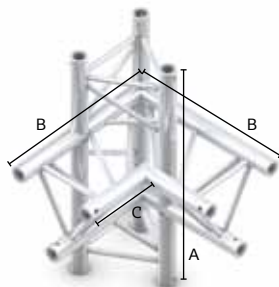
To calculate inches and pounds (mm / 25.4 = inch)
(kg × 2.204 = lbs)



4 WAY T-PIECE APEX UP

Series	Code	A	B	C	kg
M222	ATM42 4wayT	578	400	178	3.5
M290	ATB/ATV42 4wayT	710	500	210	9.6
M290	ATUU42 4wayT	500	500	210	6.0
M390	ATK/ATL42 4wayT	810	600	210	11.2

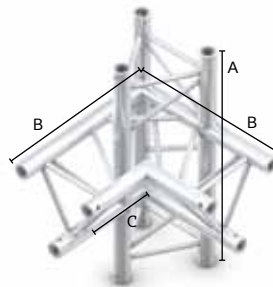
To calculate inches and pounds (mm / 25.4 = inch)
(kg × 2.204 = lbs)



4 WAY CORNER 90° RIGHT

Series	Code	A	B	C	kg
M222	ACM44 4way90dg	603.5	400	273	3.5
M290	ACB/ACV44 4way90dg	742	500	330	9.6
M290	ACUU44 4way90dg	500	500	330	5.9
M390	ACK/ACL44 4way90dg	855	600	380	11.2

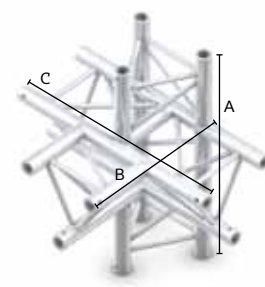
To calculate inches and pounds (mm / 25.4 = inch)
(kg × 2.204 = lbs)



4 WAY CORNER 90° LEFT

Series	Code	A	B	C	kg
M222	ACM45 4way90dg	603.5	400	273	3.5
M290	ACB/ACV45 4way90dg	742	500	330	9.6
M290	ACUU45 4way90dg	500	500	330	5.9
M390	ACK/ACL45 4way90dg	855	600	380	11.2

To calculate inches and pounds (mm / 25.4 = inch)
(kg × 2.204 = lbs)

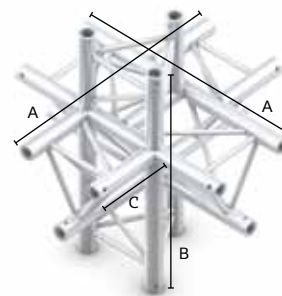
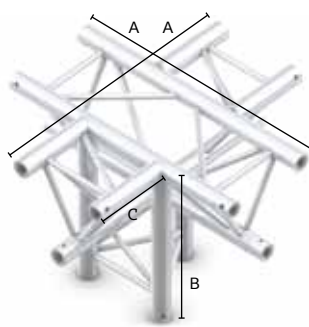
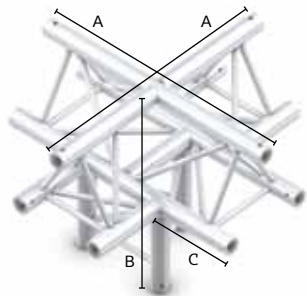


5 WAY T-PIECE

Series	Code	A	B	C	kg
M222	ATM51 5wayT	603.5	400	578	3.8
M290	ATB/ATV51 5wayT	742	500	710	12
M290	ATUU51 5wayT	500	500	710	6.5
M390	ATK/ATL51 5wayT	855	600	810	14

To calculate inches and pounds (mm / 25.4 = inch)
(kg × 2.204 = lbs)

NOTE : M290 / M390 dimensions are same for F & U versions



5 WAY CROSS DOWN LEG APEX UP

Series	Code	A	B	C	kg
M222	ACM52 5way	578	400	178	3.8
M290	ACB/ACV52 5way	710	500	210	12
M290	ACUU52 5way	500	500	210	6.2
M390	ACK/ACL52 5way	810	600	210	14

To calculate inches and pounds (mm / 25.4 = inch)
(kg × 2.204 = lbs)

5 WAY CROSS DOWN LEG APEX DOWN

Series	Code	A	B	C	kg
M222	ACM53 5way	578	400	178	3.8
M290	ACB/ACV53 5way	710	500	210	12
M290	ACUU53 5way	500	500	210	6.4
M390	ACK/ACL53 5way	810	600	210	14

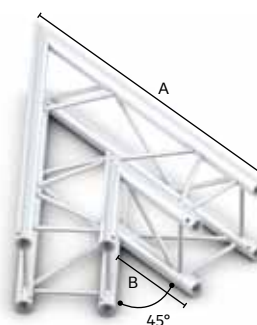
To calculate inches and pounds (mm / 25.4 = inch)
(kg × 2.204 = lbs)

6 WAY T-PIECE

Series	Code	A	B	C	kg
M222	ACM61 6wayT	578	603.5	178	4.5
M290	ACB/ACV61 6wayT	710	742	210	14.4
M290	ACUU61 6wayT	500	742	210	6.9
M390	ACK/ACL61 6wayT	810	855	210	16

To calculate inches and pounds (mm / 25.4 = inch)
(kg × 2.204 = lbs)

QUATRO Straights and junctions



STRAIGHTS

Series	Code										
		m	ft	0.5 (1.64)	1 (3.28)	1.5 (4.92)	2 (6.56)	2.5 (8.20)	3 (9.84)	4 (13.12)	5 (16.4)
M222	QTM			500	1000	1500	2000	2500	3000	4000	-
M290	QTB/QTV			500	1000	1500	2000	2500	3000	4000	5000
M390	QTK/QTL			500	1000	1500	2000	2500	3000	4000	5000

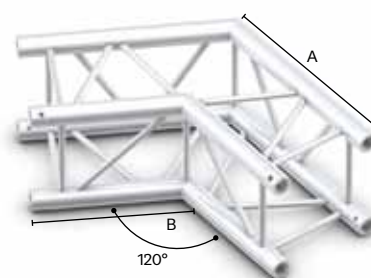
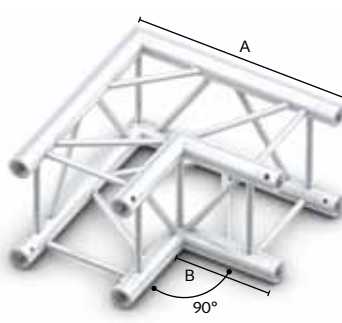
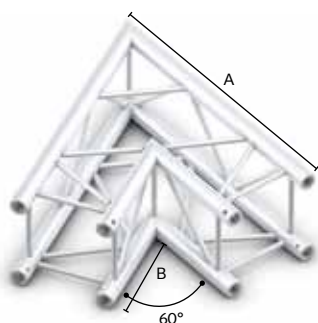
	QTM	QTB	QTV	QTK	QTL
Weight of 1 m/kg* (3.28 ft/lbs)	3.50 (7.71)	5.90 (13.0)	6.40 (14.1)	6.50 (14.3)	7.10 (15.7)

*excluding connection material

2 WAY CORNER 45°

Series	Code	A	B	C	kg
M222	QCM19 2way45dg	800	264	-	3.5
M290	QCB/QCV19 2way45dg	1000	300	-	8.1
M390	QCK/QCL19 2way45dg	1200	258	-	11.2

To calculate inches and pounds (mm / 25.4 = inch)
(kg × 2.204 = lbs)



2 WAY CORNER 60°

Series	Code	A	B	C	kg
M222	QCM20 2way60dg	600	215	-	3.3
M290	QCB/QCV20 2way60dg	800	298	-	7.2
M390	QCK/QCL20 2way60dg	1000	325	-	11.2

To calculate inches and pounds (mm / 25.4 = inch)
(kg × 2.204 = lbs)

2 WAY CORNER 90°

Series	Code	A	B	C	kg
M222	QCM21 2way90dg	400	178	-	3.1
M290	QCB/QCV21 2way90dg	500	210	-	6.6
M390	QCK/QCL21 2way90dg	600	210	-	8.9

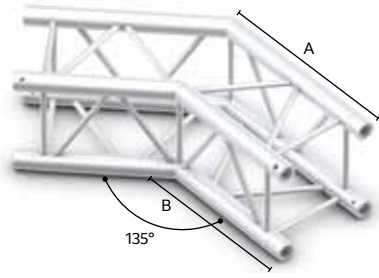
To calculate inches and pounds (mm / 25.4 = inch)
(kg × 2.204 = lbs)

2 WAY CORNER 120°

Series	Code	A	B	C	kg
M222	QCM22 2way120dg	400	272	-	3.3
M290	QCB/QCV22 2way120dg	500	333	-	6.6
M390	QCK/QCL22 2way120dg	600	375	-	8.9

To calculate inches and pounds (mm / 25.4 = inch)
(kg × 2.204 = lbs)

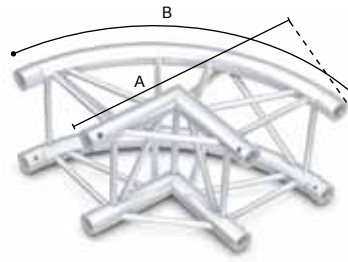
NOTE : M290 / M390 dimensions are same for F & U versions



2 WAY CORNER 135°

Series	Code	A	B	C	kg
M222	QCM23 2way135dg	400	308	-	3.3
M290	QCB/QCV23 2way135dg	500	380	-	6.6
M390	QCK/QL23 2way135dg	600	438	-	8.9

To calculate inches and pounds (mm / 25.4 = inch)
(kg × 2.204 = lbs)



2 WAY CURVED CORNER 90°

Series	Code	A	B	C	kg
M290	QCB21KRS 2way90dg	500	785	-	6.6

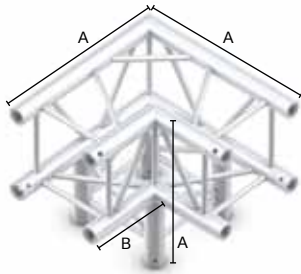
To calculate inches and pounds (mm / 25.4 = inch)
(kg × 2.204 = lbs)



2 WAY VERTICAL CORNER - NON WELDED

Series	Code	A	B	C	kg
M290	QCB120dgMC	360	120°	-	9.1
M290	QCB135dgMC	290	135°	-	8.4
M290	QCB150dgMC	218	150°	-	7.6

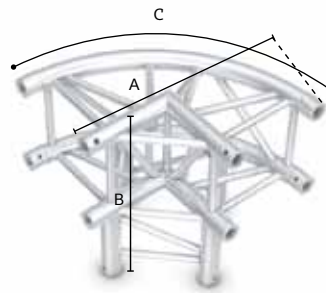
To calculate inches and pounds (mm / 25.4 = inch)
(kg × 2.204 = lbs)



3 WAY CORNER 90°

Series	Code	A	B	C	kg
M222	QLM30 3way90dg	400	179	-	4.0
M290	QLB/QLV30 3way90dg	500	210	-	9.6
M390	QLK/QLL30 3way90dg	600	210	-	11.4

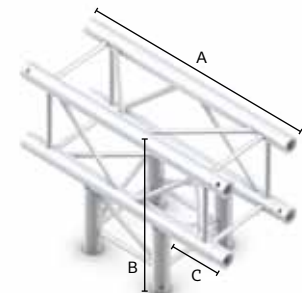
To calculate inches and pounds (mm / 25.4 = inch)
(kg × 2.204 = lbs)



3 WAY CURVED CORNER 90°

Series	Code	A	B	C	kg
M290	QLB30KRS 2way90dg	500	500	785	9.6

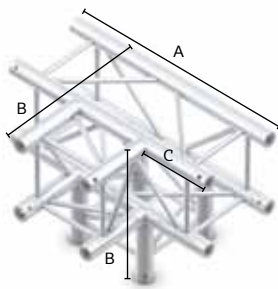
To calculate inches and pounds (mm / 25.4 = inch)
(kg × 2.204 = lbs)



3 WAY T-PIECE

Series	Code	A	B	C	kg
M222	QTM35 3wayT	578	400	179	4.0
M290	QTB/QTV35 3wayT	710	500	210	9.6
M290	QTUU35 3wayT	500	500	210	5.5
M390	QTK/QLT35 3wayT	810	600	210	11.2

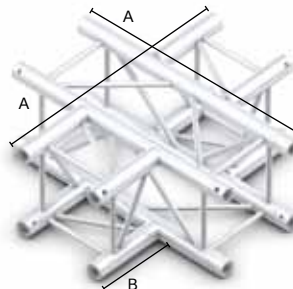
To calculate inches and pounds (mm / 25.4 = inch)
(kg × 2.204 = lbs)



4 WAY T-PIECE LEG DOWN

Series	Code	A	B	C	kg
M222	QLM40 4wayT	578	400	179	4.4
M290	QLB/QLV40 4wayT	710	500	210	12.6
M290	QLUU40 4wayT	500	500	210	7.2
M390	QLK/QLL40 4wayT	810	600	210	14.4

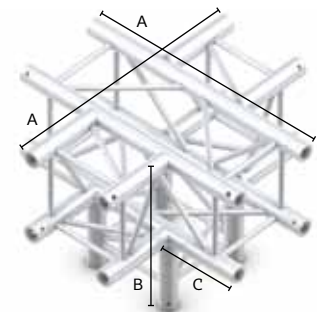
To calculate inches and pounds (mm / 25.4 = inch)
(kg × 2.204 = lbs)



4 WAY CROSS PIECE

Series	Code	A	B	C	kg
M222	QCM41 4way	578	179	-	4.4
M290	QCB/QCV41 4way	710	210	-	12.6
M290	QCUU41 4way	500	210	-	7.2
M390	QCK/QL41 4way	810	210	-	14.4

To calculate inches and pounds (mm / 25.4 = inch)
(kg × 2.204 = lbs)

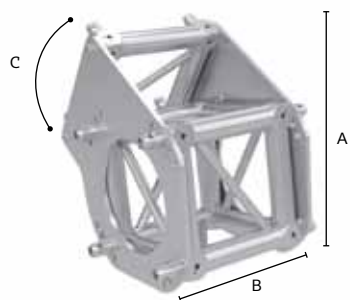


5 WAY CROSS DOWN LEG

Series	Code	A	B	C	kg
M222	QCM51 5way	578	400	179	4.9
M290	QCB/QCV51 5way	710	500	210	16.2
M290	QCUU51 5WAY	500	500	210	7.7
M390	QCK/QL51 5way	810	600	210	18.1

To calculate inches and pounds (mm / 25.4 = inch)
(kg × 2.204 = lbs)

NOTE : M290 / M390 dimensions are same for F & U versions



VARIO CORNER

Series	Code	A	B	C	kg
M290	MR1-VC30B-22°	462	311	22°	16.6
M290	MR1-VC30B-30°	488	311	30°	16.6
M290	MR1-VC30B-40°	513	311	40°	16.6
M290	MR1-VC30B-50°	554	311	50°	16.6

Vario corner for different angles, incl. 12x half male connectors

To calculate inches and pounds (mm / 25.4 = inch)

(kg × 2.204 = lbs)

